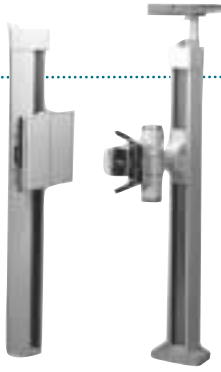


Upright Raymaster System

Upright Raymaster System

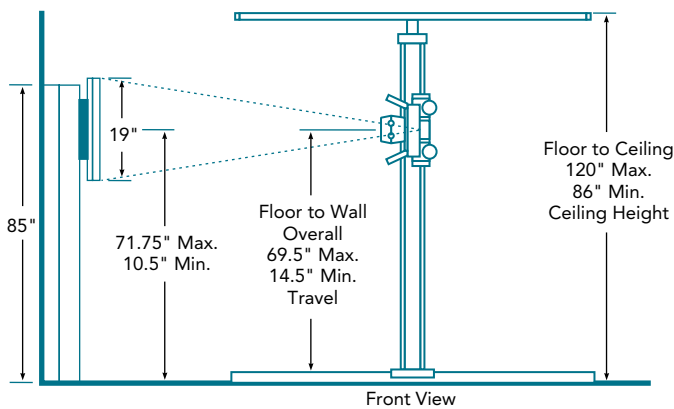
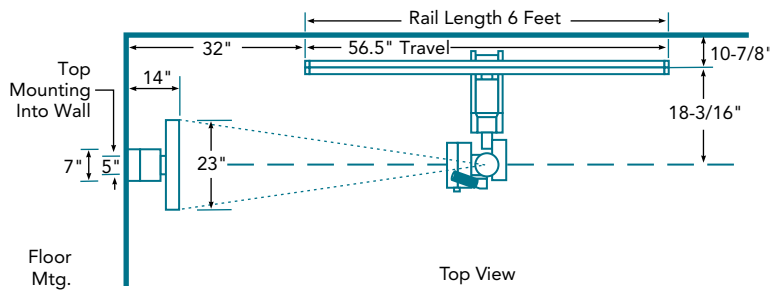




Upright Raymaster System

Universal uniquely combines economy and flexibility in a system designed to meet specialized and individual professional radiographic needs.

The Universal Raymaster system is thoroughly at home in private, group, or clinical applications. It provides full radiographic capability for comprehensive skeletal studies.



System Features & Options

- Tubestand – 8' or 12' track for use with optional tables
- Wall holder – 10:1 or 12:1 aluminum grid for grid cabinet
- Wall holder with electric locks
- 17" x 17" bucky with 103 line 8:1, 10:1, or 12:1 ratio grid and cassette tray
- 14" x 36" bucky with 103 line 8:1, 10:1, or 12:1 grid
- Baked-on medical white finish

Five Year Equipment Warranty

Complies with all CDRH performance standards in effect at the date of manufacture. Specifications subject to change without notice. Made in U.S.A. UL-Listed.

